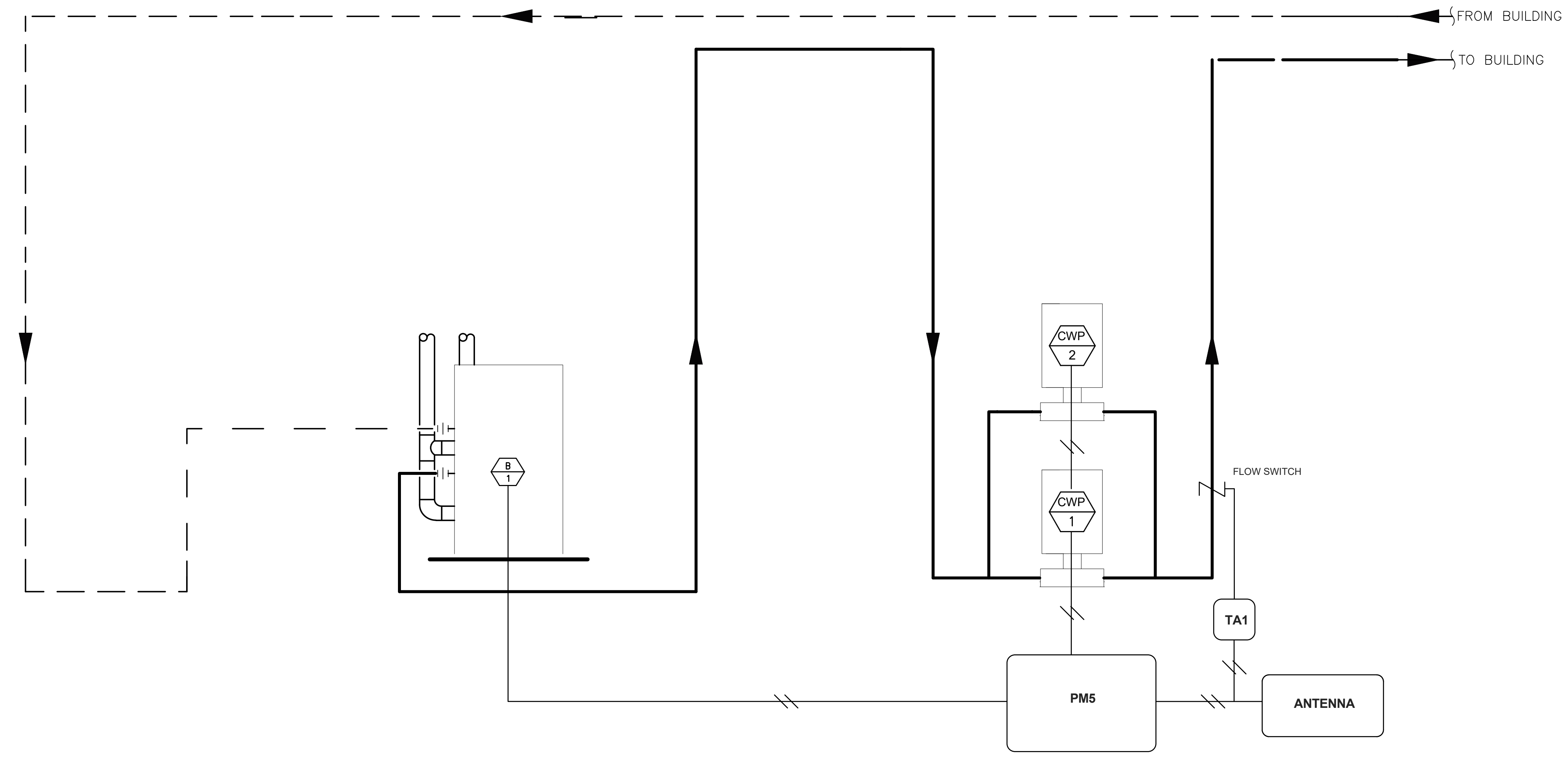
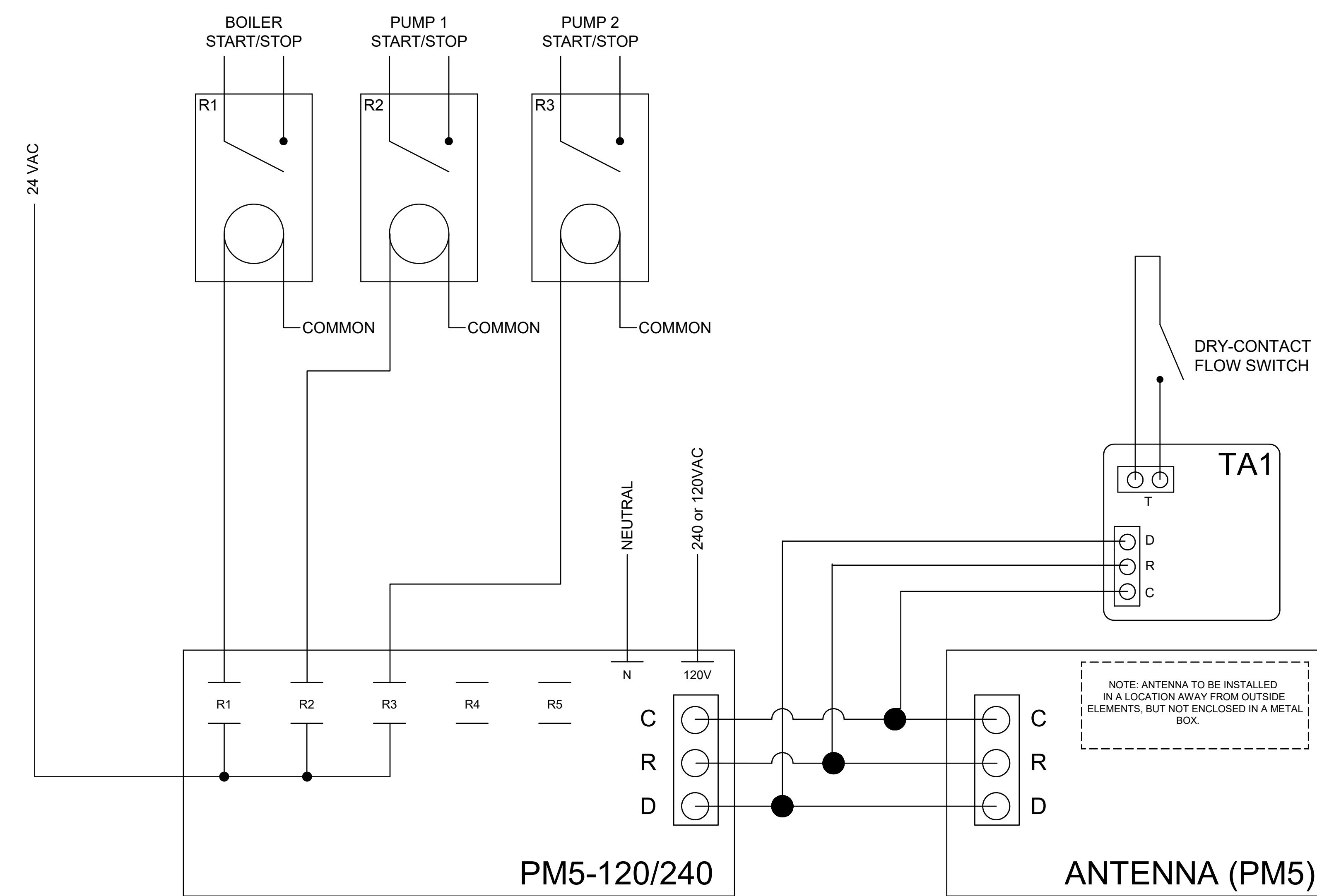


OVERVIEW



WIRING DETAILS



PROJECT NUMBER:
D-200709

REV. NO.
REV01

DRAWING TITLE:
BOILER START/STOP - LEAD/LAG PUMPS - STANDBY FLOW SWITCH

DRAWN BY:
PWS

DATE CREATED:
7/09/2020

SCALE:
NTS

PAGE 1 OF 1

