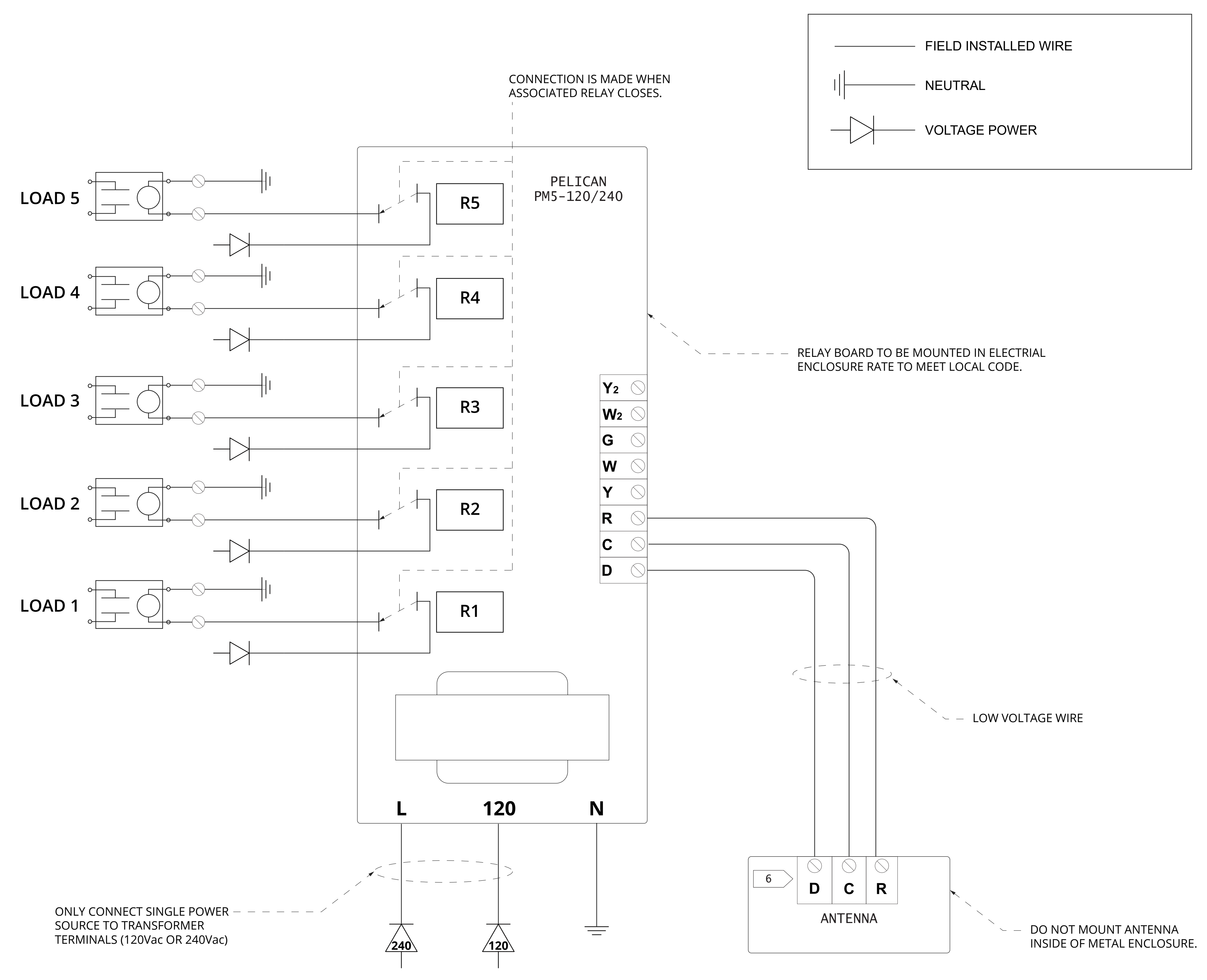


WIRING DETAILS



DRAWING NUMBER:
D-19081610

REV. NO.
REV01

DRAWING TITLE:
POWER CONTROL MODULE

DRAWN BY:
PWS

DATE CREATED:
08/16/2019

SCALE:
NTS

PAGE 1 OF 1

