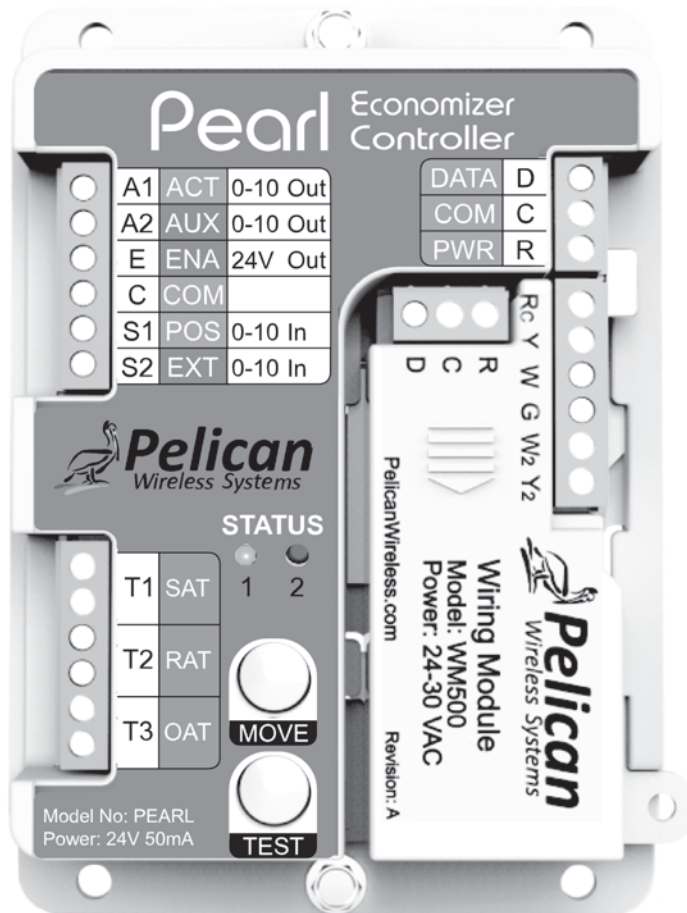


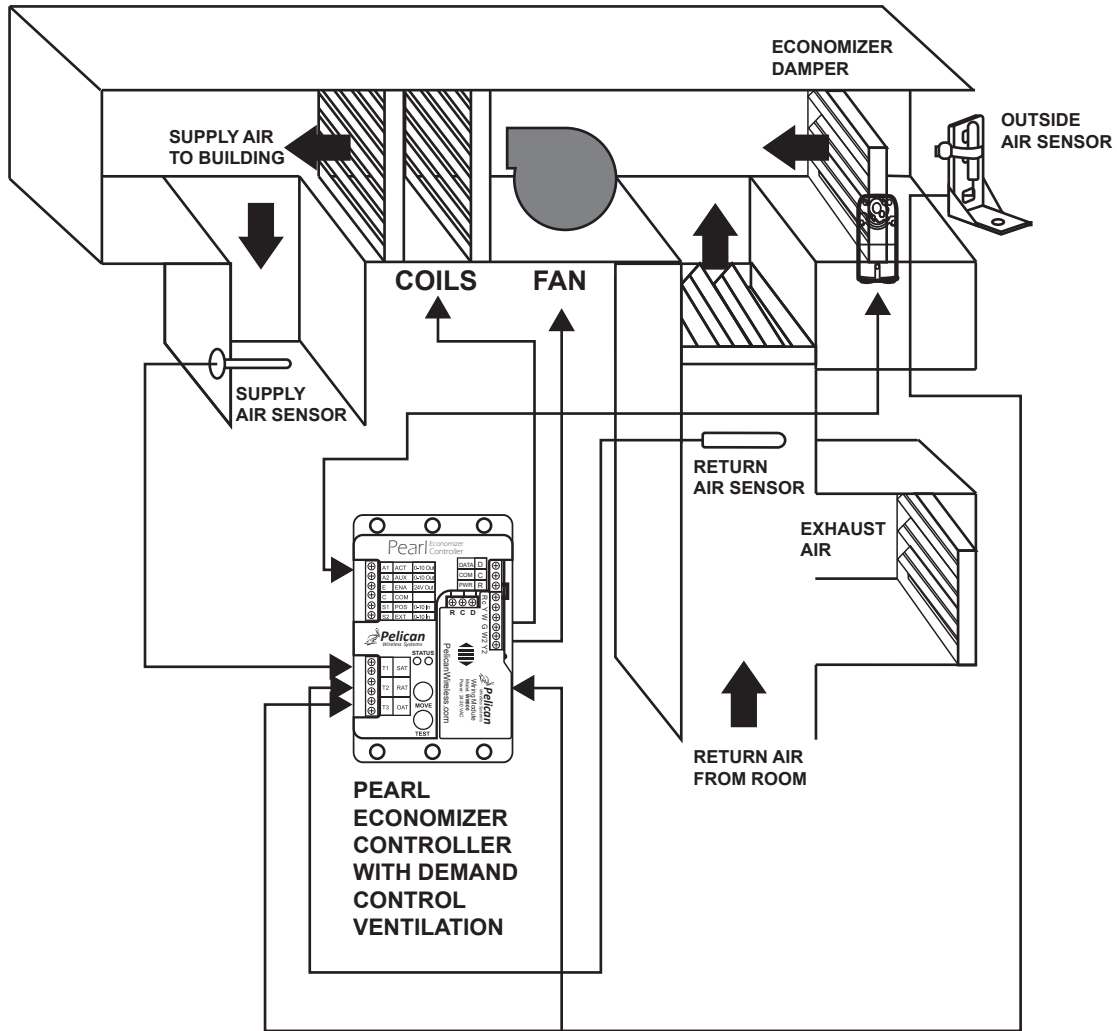


DESIGN AND APPLICATION GUIDE

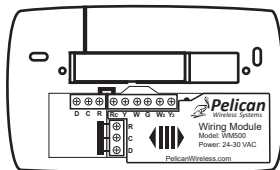
Pelican PEARL Economizer Controller



PEARL Economizer System Components



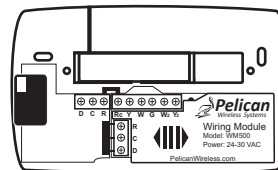
ECONOMIZATION



**PELICAN TS200
THERMOSTAT
TEMPERATURE ONLY**

**PELICAN TS200H
THERMOSTAT
TEMPERATURE AND HUMIDITY**

ECONOMIZATION AND DEMAND VENTILATION



**PELICAN TS250
THERMOSTAT
TEMPERATURE AND CO2**

**PELICAN TS250H
THERMOSTAT
TEMPERATURE, HUMIDITY, CO2**

Economizer Actuator Wiring Application Guide

Fig. 1: PEARL Economizer configuration with constant speed fan and BELIMO TFB24-SR actuator (22 in-lbs.) with position feedback

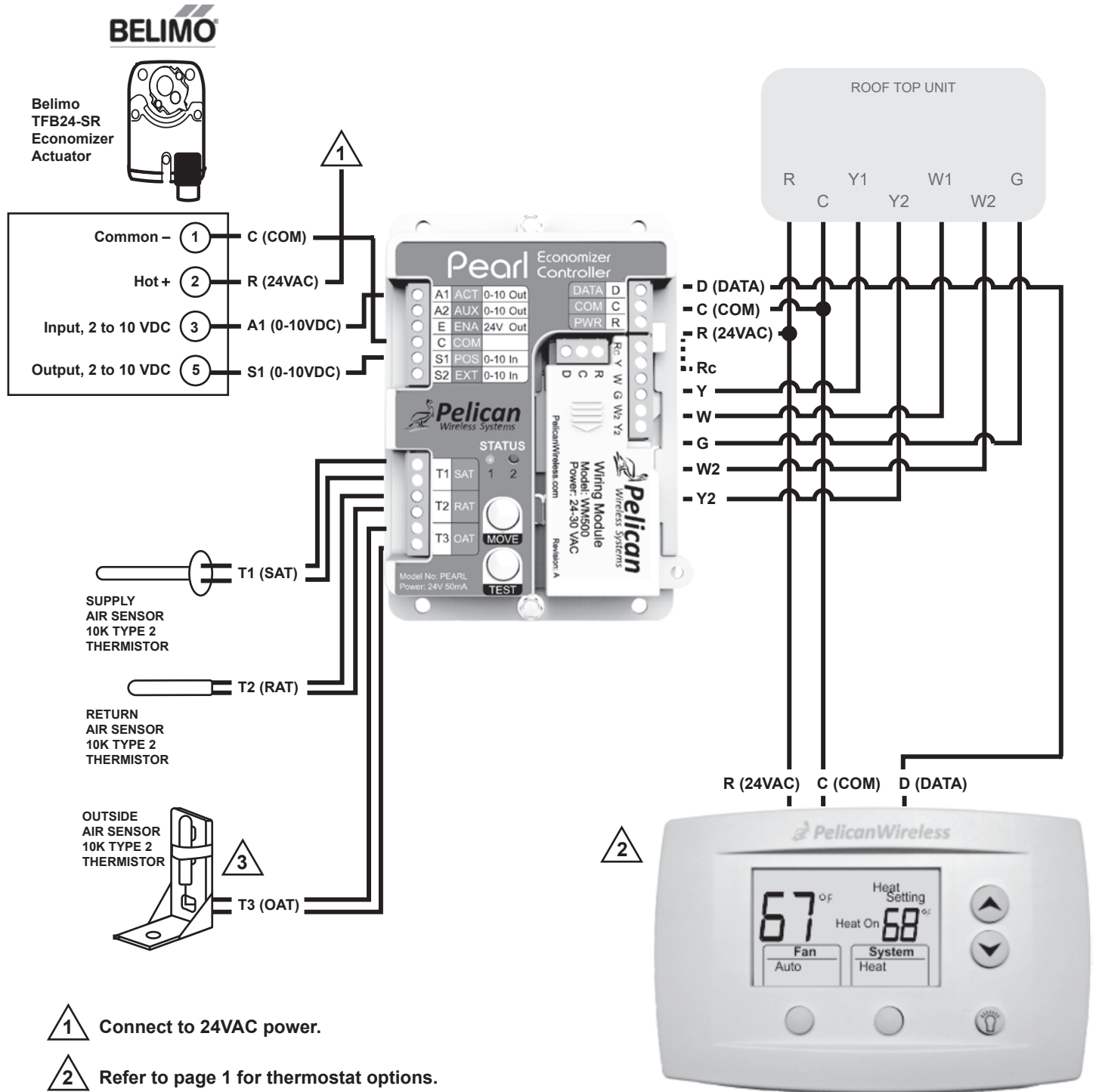


Fig. 2: PEARL Economizer configuration with constant speed fan and BELIMO LF24-SR actuator (35 in-lbs.) with position feedback

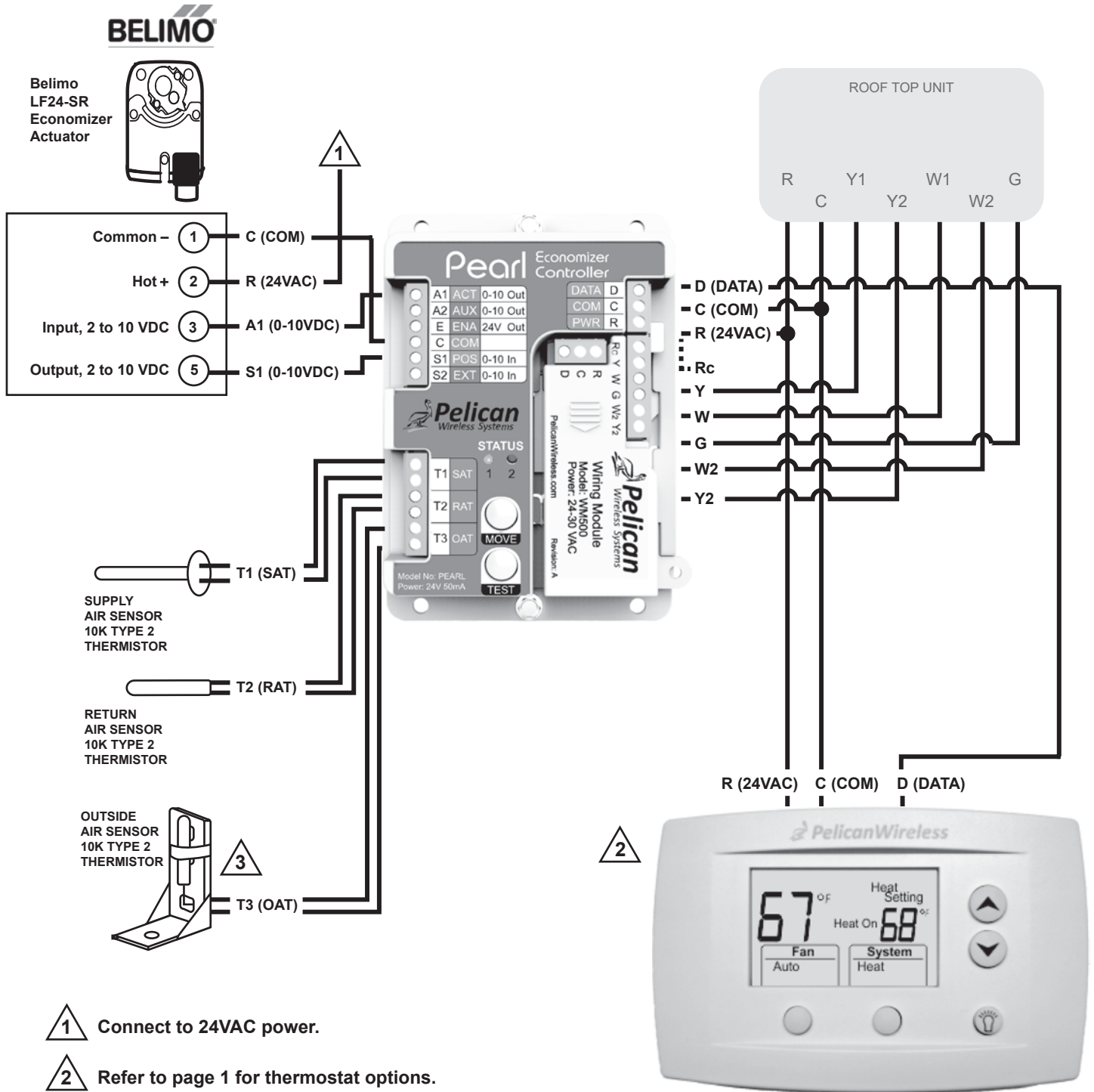


Fig. 3: PEARL Economizer configuration with constant speed fan and Honeywell MS7403/MS7405 actuator (27 in-lbs.)/(44 in-lbs.) with position feedback

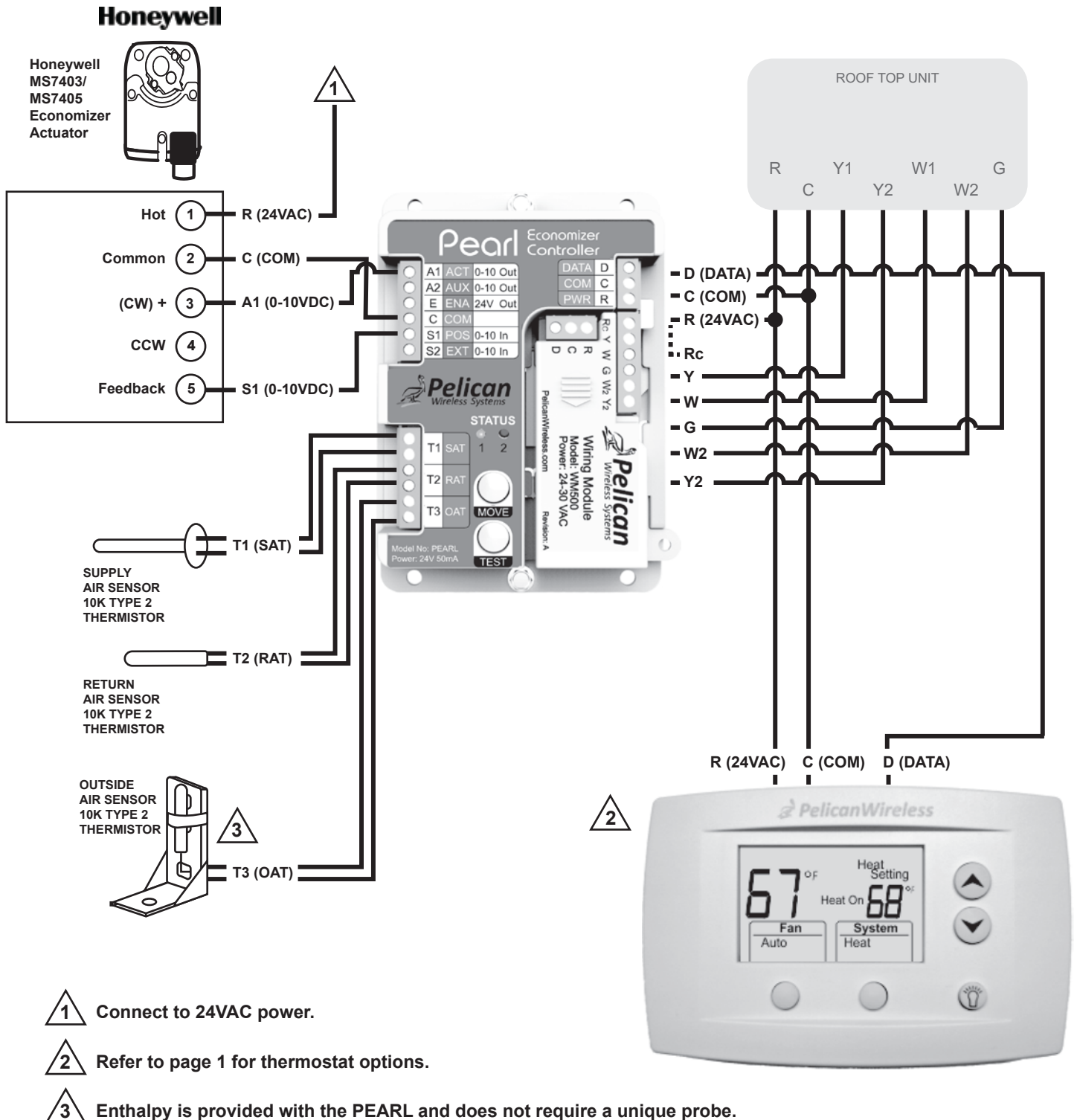
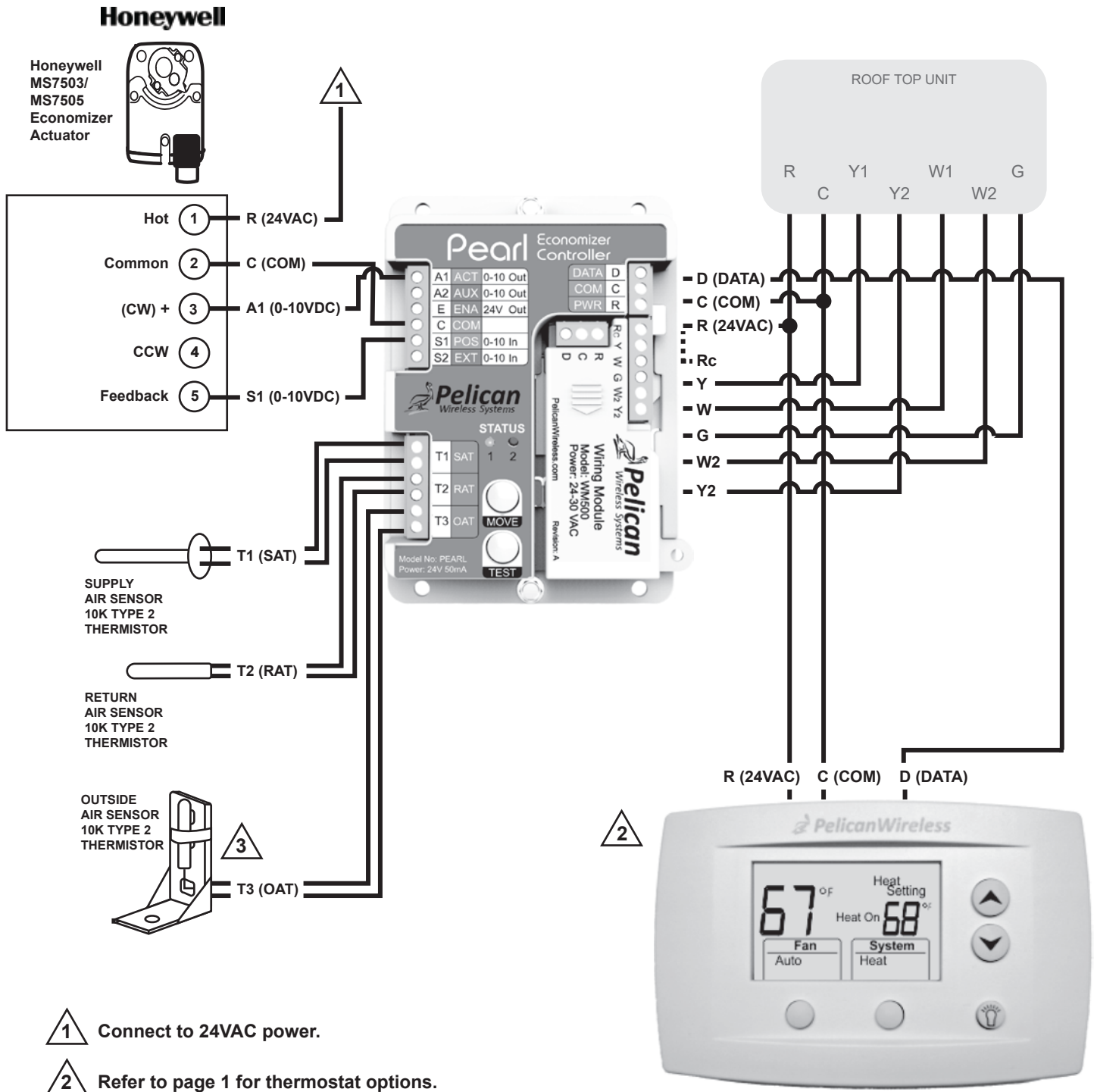


Fig. 4: PEARL Economizer configuration with constant speed fan and Honeywell MS7503/MS7505 actuator (27 in-lbs.)/(44 in-lbs.) with position feedback



- 1 Connect to 24VAC power.
- 2 Refer to page 1 for thermostat options.
- 3 Enthalpy is provided with the PEARL and does not require a unique probe.

Fig. 5: Stand-alone dry bulb Economizer configuration with constant speed fan and Honeywell black motor M7215 (25 in-lbs.)

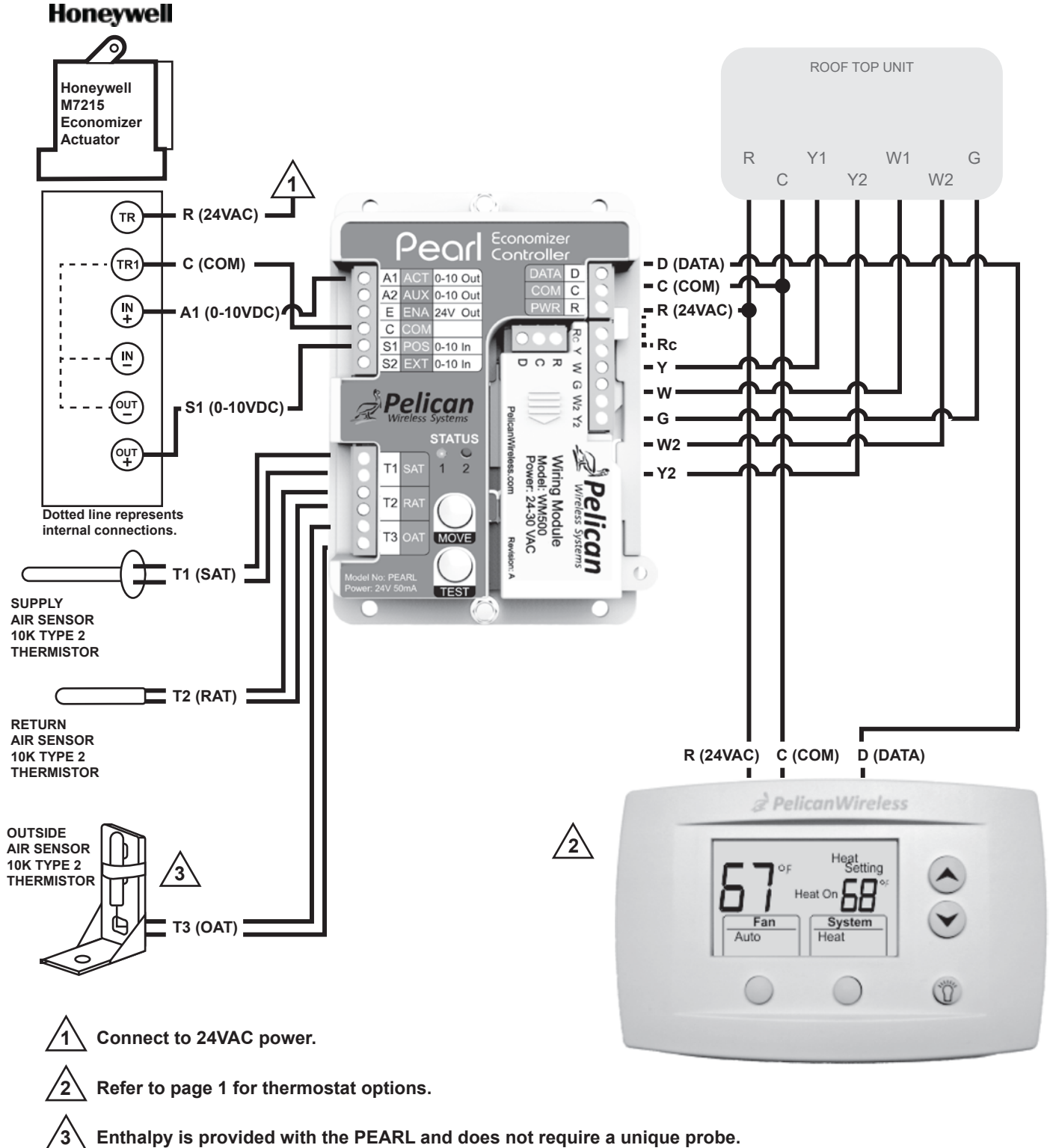
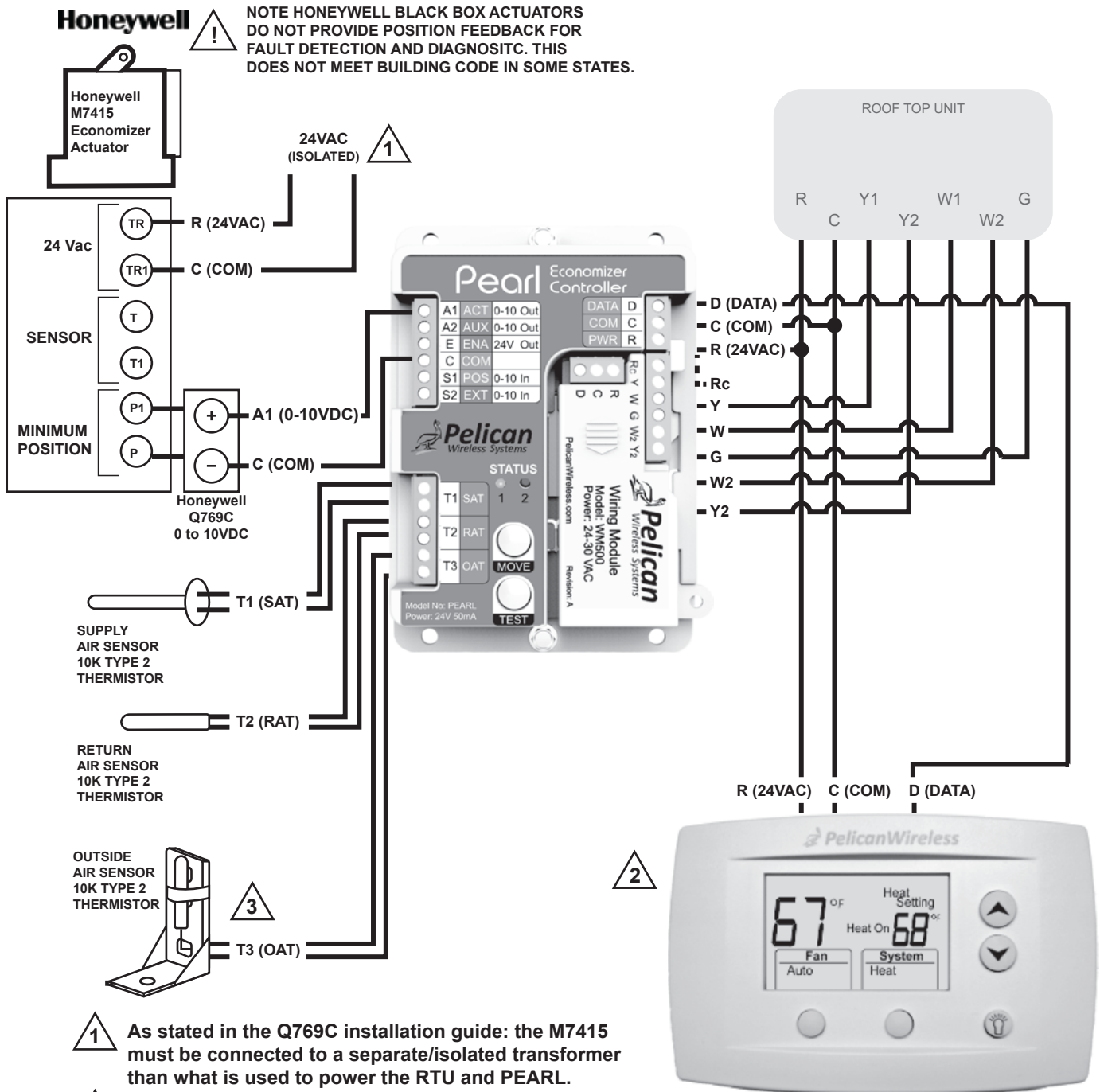


Fig. 7: Stand-alone dry bulb Economizer configuration with constant speed fan, Honeywell black motor M7415 (25 in-lbs.) and Honeywell Q769C 0-10VDC Adapter

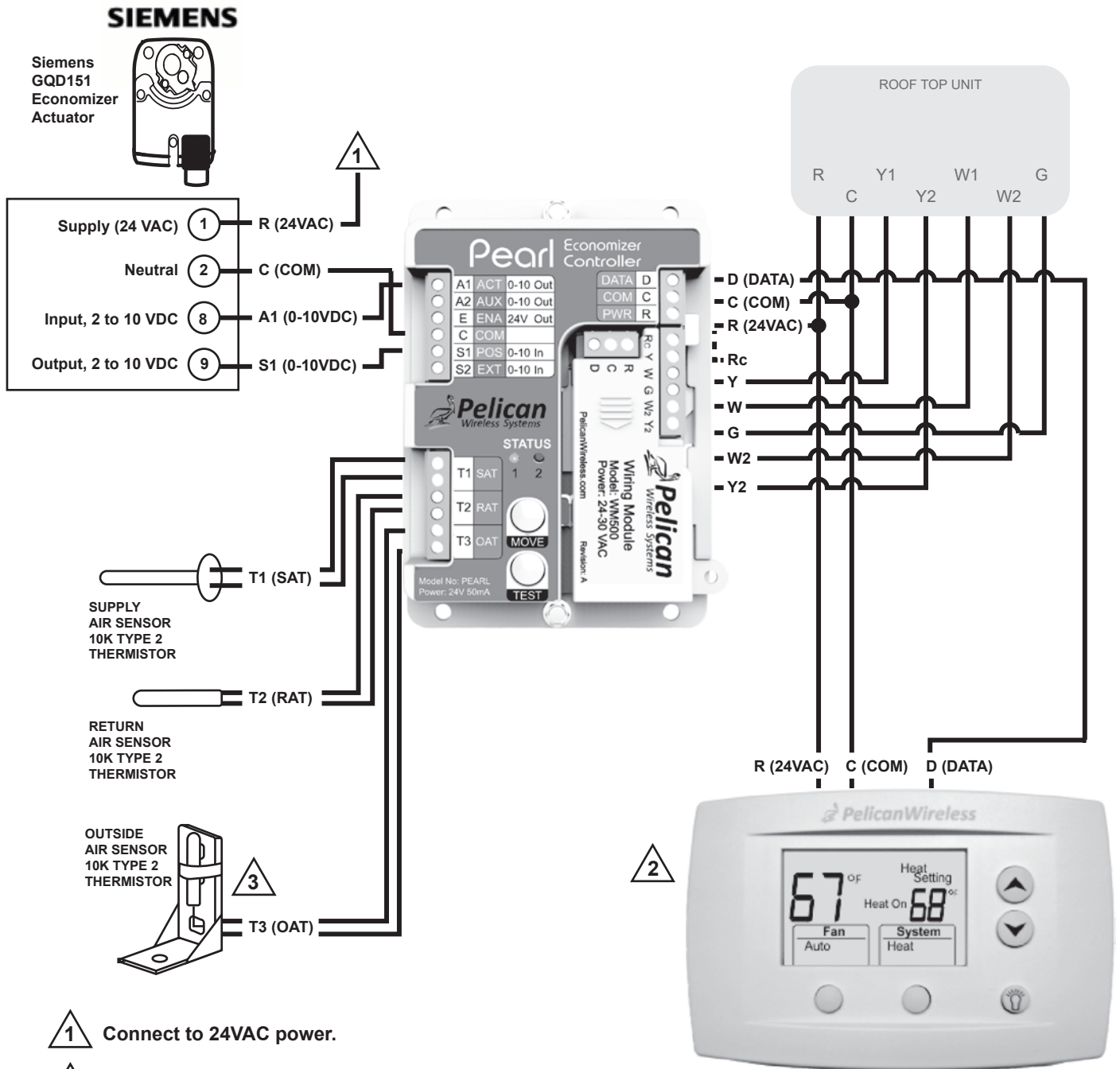


 **1** As stated in the Q769C installation guide: the M7415 must be connected to a separate/isolated transformer than what is used to power the RTU and PEARL.

 **2** Refer to page 1 for thermostat options.

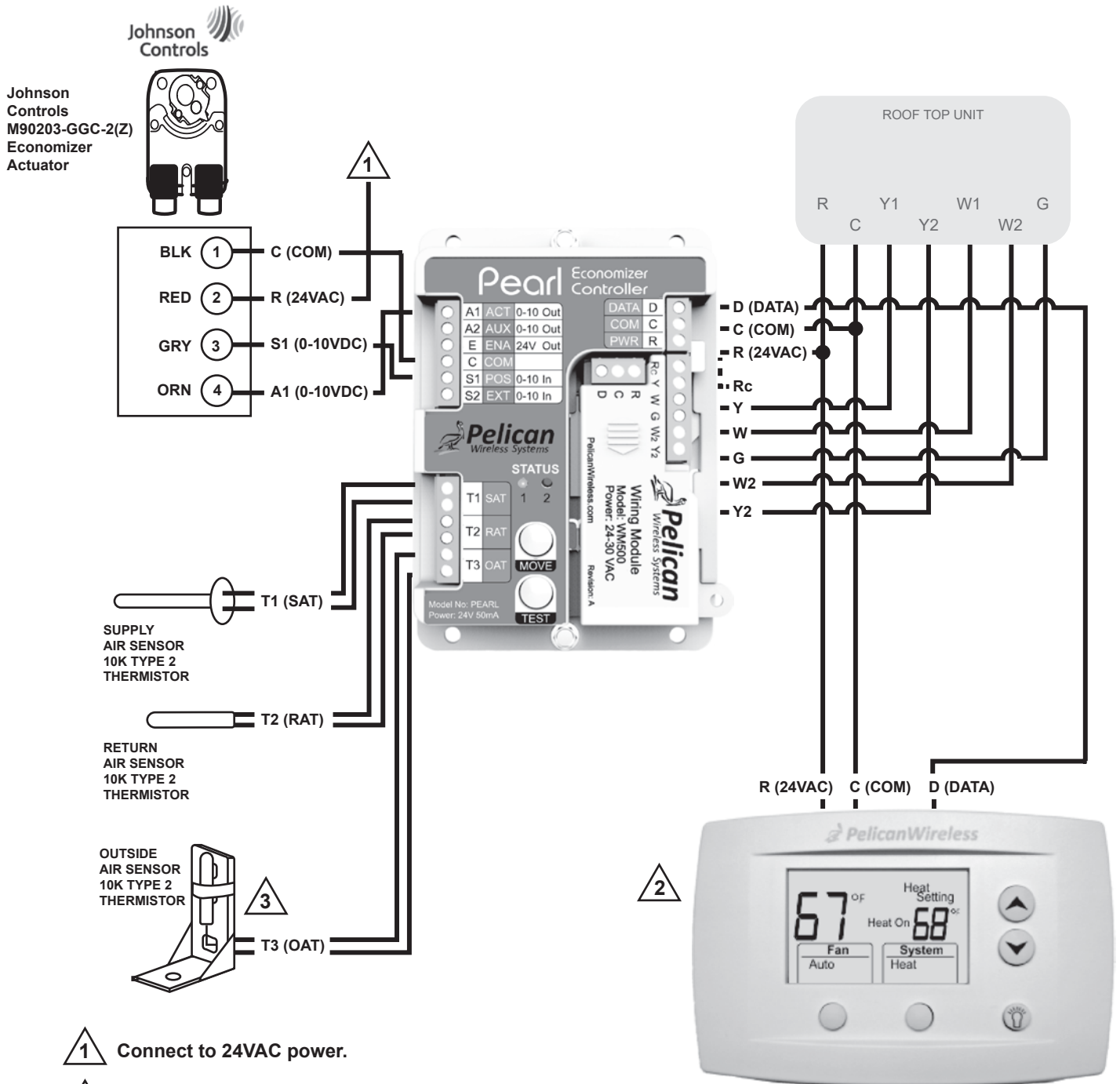
 **3** Enthalpy is provided with the PEARL and does not require a unique probe.

Fig. 8: PEARL Economizer configuration with constant speed fan and SIEMENS GQD151 actuator (20 in-lbs.) with position feedback



- ① Connect to 24VAC power.
- ② Refer to page 1 for thermostat options.
- ③ Enthalpy is provided with the PEARL and does not require a unique probe.

Fig. 9: PEARL Economizer configuration with constant speed fan and Johnson Controls M90203-GGc-2(Z) actuator (27 in-lbs.) with position feedback



Pelican Wireless Systems.
All Rights Reserved.

For More Information on Pelican Please Visit:
www.pelicanwireless.com

0717 Version 3



Pelican Wireless Systems, 2655 Collier Canyon Rd. Livermore, CA 94551
Phone: 888.512.0490
Email: support@pelicanwireless.com Website: www.PelicanWireless.com